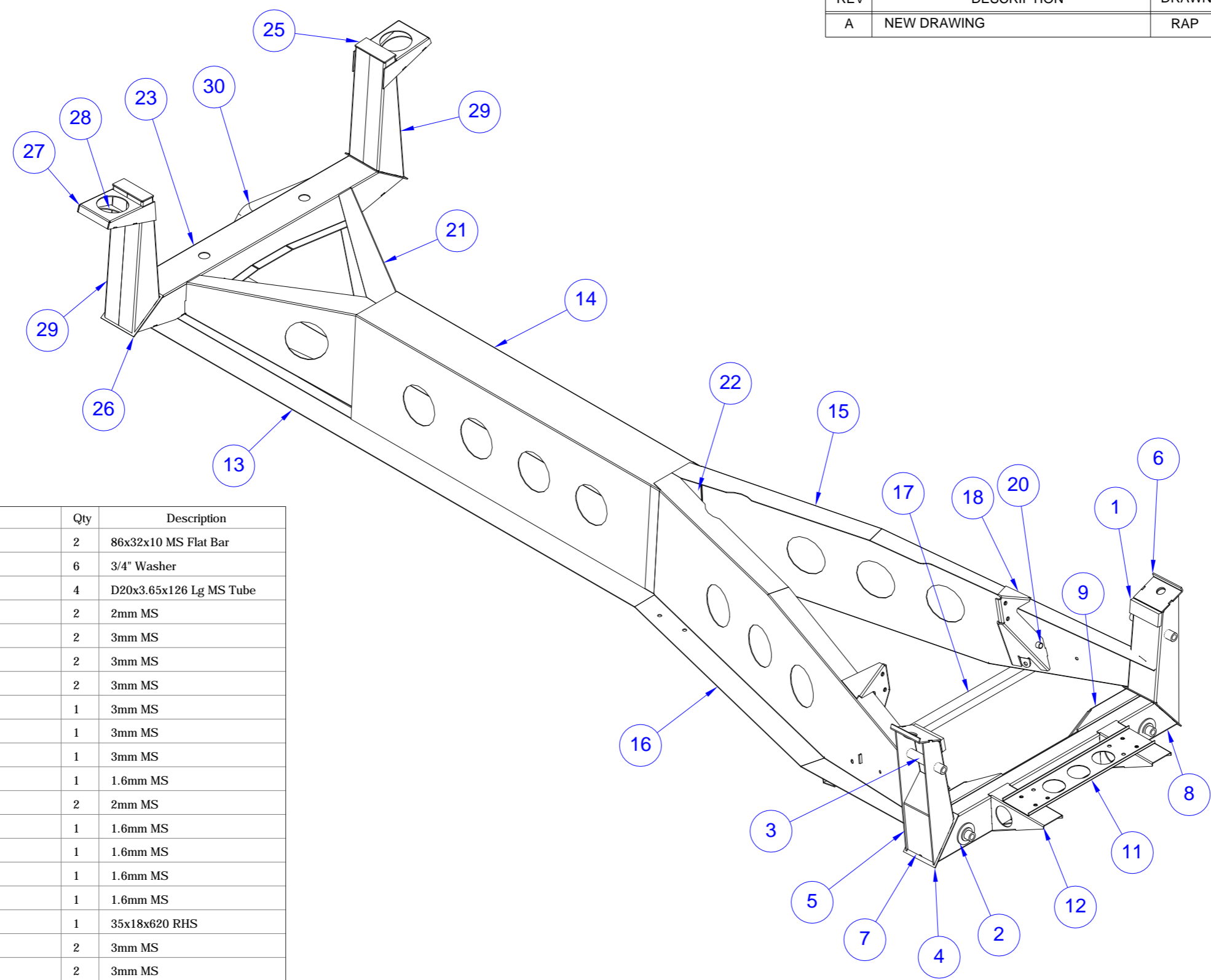







REV	DESCRIPTION	DRAWN	DATE	CHECKED	DATE	APPR'D	DATE
A	NEW DRAWING	RAP	01/09/09				



Item	Part Number	Qty	Description
1	Front Bodymount Block	2	86x32x10 MS Flat Bar
2	3/4" Washer	6	3/4" Washer
3	Front Tube	4	D20x3.65x126 Lg MS Tube
4	Front Closing Plate	2	2mm MS
5	Front Upright Channel	2	3mm MS
6	Front Shockmount Plate	2	3mm MS
7	Front Closing Plate Inside	2	3mm MS
8	Front Cross Member A	1	3mm MS
9	Front Cross Member B1	1	3mm MS
10	Front Cross Member B2	1	3mm MS
11	Steering Rack Mounting tray	1	1.6mm MS
12	Rack Mounting Gusset	2	2mm MS
13	Center Channel	1	1.6mm MS
14	Center Bridge	1	1.6mm MS
15	Front Member LHS	1	1.6mm MS
16	Front Member RHS	1	1.6mm MS
17	Sump Brace	1	35x18x620 RHS
18	Engine Mount	2	3mm MS
19	Engine Mount Plate	2	3mm MS
20	Engine Mount Tube	2	D12.7x1.35x27 Lg MS Tube
21	Rear Gusset	2	2mm MS
22	Center Bulkhead	2	1.6mm MS
23	Rear Cross Member	1	2mm MS
24	Rear Cross Member Support	2	2mm MS
25	Rear Cap	2	90x34.5x3 MS
26	Rear Closing Plate	2	2mm MS
27	Rear Suspension Top Mount Bracket	2	2mm MS
28	Rear Suspension Top Mount Plate	2	2mm MS
29	Rear Upright Channel	4	3mm MS
30	Rear Crossbar	2	D19 Tube

Dimensions in : MILLIMETERS		Material treatment :	
Tolerance unless noted :		Mark Part No. 	
X.X	± 0.5	Where Shown	
X.XX	± 0.10	Drawing standard :	
Angles	± 1 Deg.	AS1100	
Surface finish to be 0.8 		<b>DO NOT SCALE</b>	
Break all sharp edges 		 3RD ANGLE PROJECTION	
Bend radius	-		
Relief radius	-		
Corners & fillets	-		

	5 Marong Court Boronia Heights 3155 Vic Australia		Phone/Fax 9761 1903
	TITLE : <b>LOTUS ELAN CHASSIS</b>		
SIZE A3	JOB/QUOTE No: 2003-001	DRG.No.: <b>1234</b>	REV A
SCALE: 1:10		CAD FILE: 1234.ICD	SHEET 1 OF 1