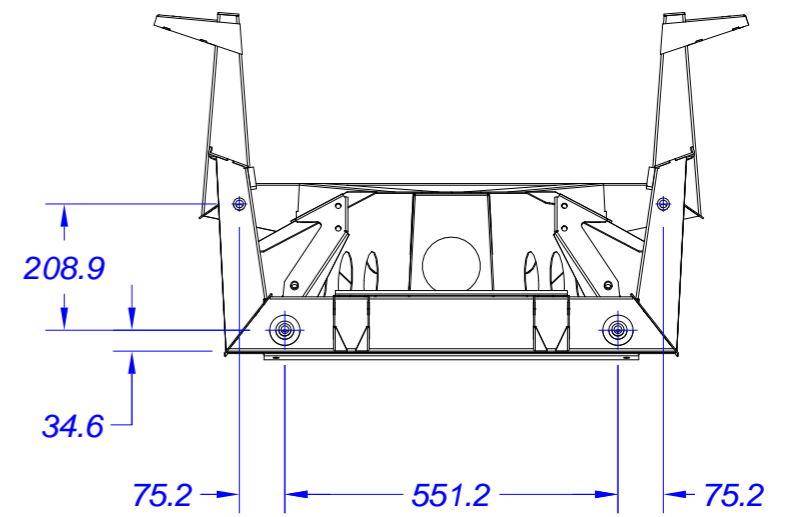
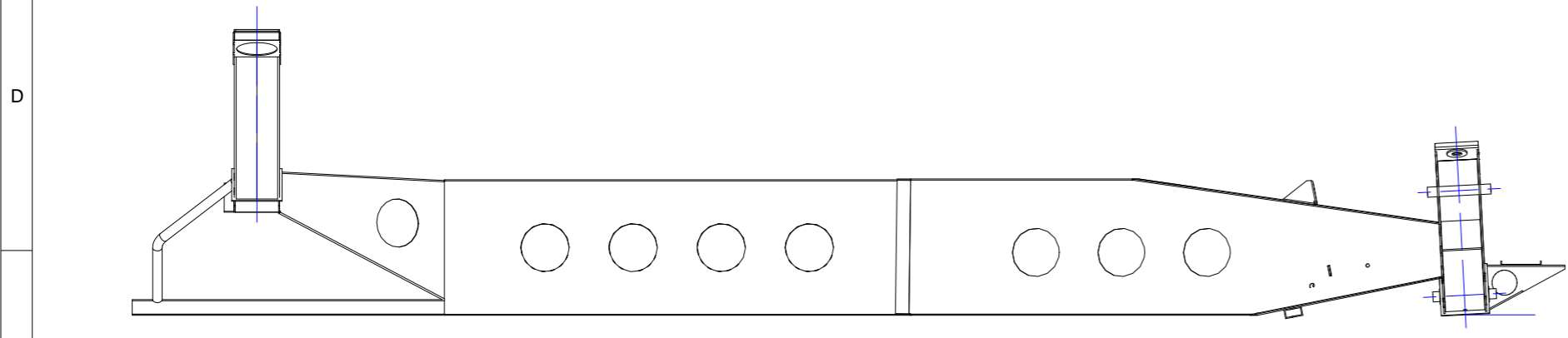
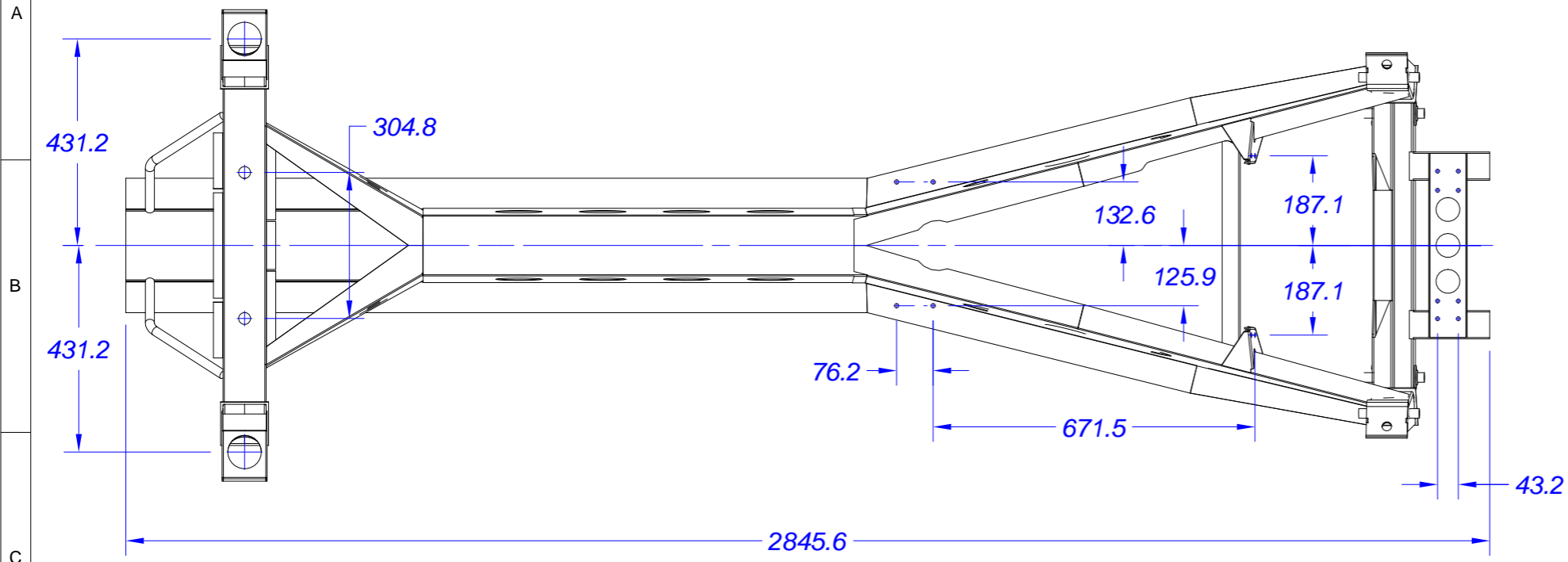


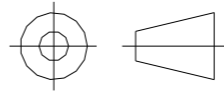


REV	DESCRIPTION	DRAWN	DATE	CHECKED	DATE	APPR'D	DATE
A	NEW DRAWING	RAP	01/09/09				



Dimensions in : MILLIMETERS Tolerance unless noted : X.X ± 0.5 X.XX ± 0.10 Angles ± 1 Deg. Surface finish to be 0.8 Break all sharp edges		Material treatment : Mark Part No.  Where Shown Drawing standard : AS1100			5 Marong Court Boronia Heights 3155 Vic Australia Phone/Fax 9761 1903		TITLE : LOTUS ELAN CHASSIS
Bend radius - Relief radius - Corners & fillets -		DO NOT SCALE  3RD ANGLE PROJECTION			SIZE A3	JOB/QUOTE No: 2003-001	
SCALE: 1:12.5				CAD FILE: 1234.ICD		SHEET 1 OF 1	